



## Cauhē GH-Range of Large Format Guillotines

- ◆ Heavy construction- The GH-420 Guillotine Weighing in at 22,000kg.



- ◆ Retractable side gauges for rear loading.



- ◆ Microcut ® + Flat screen colour digital Programming with CIP3/4 compatibility.



- ◆ Infrared front table safety guard.



## Cauhē GH/GL 260 Guillotine with fully enclosed rear guarding



### Guillotine / Features

- ◆ Double-pull down knife action, giving more power and precision cutting.
- ◆ Pneumatic failsafe clutch and brake system.
- ◆ Variable pressure hydraulic clamping.
- ◆ A simple and safe knife change system.
- ◆ Stainless steel machine table.
- ◆ Monitored pneumatic safety latch.
- ◆ Rear table guarding.
- ◆ Twin precision rotating ball screw back-gauge drive system.
- ◆ Extra cut buttons, to enable cutting from left / centre and right hand side of machine.
- ◆ Designed to meet EN1010 Part 3 "Cutting Machines" safety standards.

### Optional / Handling Equipment

- ◆ Double-speed ultra fast back-gauge drive system.
- ◆ Linear guided moving control system to assist programming on large format material.
- ◆ Retractable rear side gauges to allow rear loading.
- ◆ Automatic front and rear loading systems.
- ◆ Automatic front unloading systems.
- ◆ Large format jogging tables.
- ◆ Auto – plate lifts up to 3800mm wide.
- ◆ Forklifts with automatic raise and lower control.
- ◆ Large format twin / four headed automatic drilling machines for the P.O.S. screen printers.
- ◆ Rear pile rotators to assist the operators.
- ◆ Additional airflow tables.



Established 1953



Premier Guillotine Systems Limited



## GH - Range Technical Specifications

### Materials

#### Paper: -

Bible Stock	Double wax	Printing	Photographic	Felt
Duplex	Bank	Gummed	Carbon	Blotting
Chromolux	Parchment	Writing	Tissue	Tracing
Card	Bristol	Art		

#### Board: -

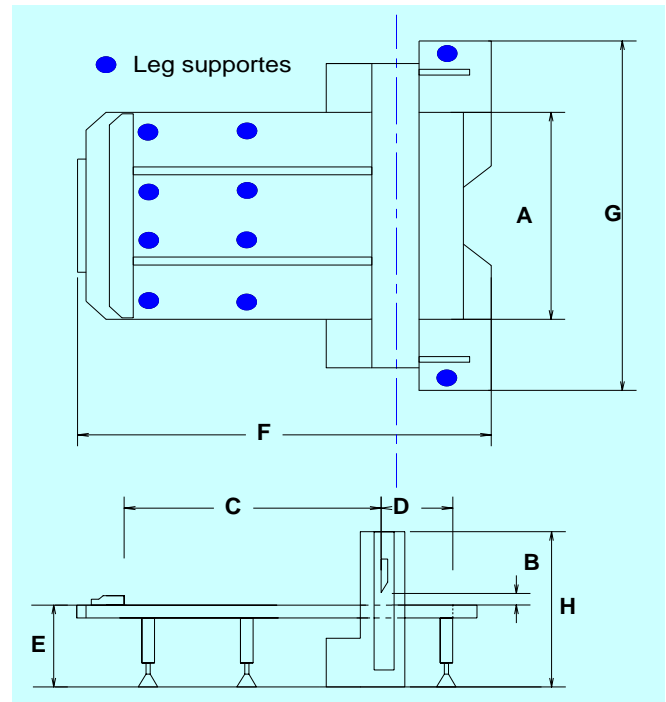
Duplex	Finish	News	Hardboard	Straw
Multiplex	Wood pulp			

#### Wood/other: -

Veneers	sandpaper	felt	raw rubber	Leather
Emery cloth	Linoleum	Lead foil	Hard rubber	cork

#### Plastics/textiles: -

Acetate film	Cellophane	PVC	Celluloid	Textile fabrics
Transparent film				



Model Specifications		GH-185	GH-200	GH-230	GH-260	GH-320	GH-366	GH-380	GH-400	GH-420
		(73")	(78")	(90")	(102")	(126")	(144")	(149")	(157")	(165")
<b>A</b> ---Max. cutting width	(mm)	1850	2000	2300	2600	3200	3660	3800	4000	4200
<b>B</b> ---Max. pile height	(mm)	160	160	160	160	160	160	160	160	160
<b>C</b> ---Cutting length	(mm)	1700	2000	2300	2600	3200	3660	3800	4000	4200
<b>D</b> ---Front table length	(mm)	800	800	800	800	800	800	800	800	800
<b>E</b> ---Table height	(mm)	940	940	940	940	940	940	940	940	940
<b>F</b> ---Machine length	(mm)	3900	4100	4400	4700	5300	5700	5900	6100	6300
<b>G</b> ---Machine width	(mm)	3850	4000	4300	4600	5200	5660	5800	6000	6200
<b>H</b> ---Machine height	(mm)	1800	1800	1800	1800	1800	1800	1800	1800	1800
Clamp width (min cut)	(mm)	145	145	145	145	145	145	145	145	145
Cycles per minute	RPM	22	22	22	22	22	22	22	22	22
Back-gauge speed Standard machine	M/s	150	150	150	150	150	150	150	150	150
Back-gauge speed ultra-fast optional-extra	M/s	300	300	300	300	300	300	300	300	300
Main motor power	kW	4	5.5	7.5	7.5	7.5	7.5	7.5	7.5	7.5
Back-gauge power	kW	0.75	0.75	0.75	0.75	0.75	0.75	0.75	0.75	0.75
Air table power	kW	3	3	3	3	3	3	4.5	4.5	4.5
Hydraulic operating pressure	Bar	16-160	16/160	16/170	16/170	16/170	16/170	16/170	16/170	16/170
Pneumatic operating pressure	Bar	6--8	6--8	6--8	6--8	6--8	6--8	6--8	6--8	6--8
Total machine power	kW	7.5	11	11	11	15	15	15	15	15
Rear table weight	kg	1025	1140	1330	1525	1930	2245	2320	2470	2620
Main body weight	kg	7475	8860	9670	10475	13070	15755	16680	17530	19380
Weight supported by each leg ●	kg	170	189	150	163	206	239	248	265	281
Total nett weight of machine	kg	8500	10000	11000	12000	15000	18000	19000	20000	22000

### Sales

Peter H Kennedy

Technical Sales Director

### Service

John M Barraclough

Director

### Safety

Peter N Borsos

Managing Director